

INSTALLATION AND SETUP GUIDE

GENERAL INFORMATION

The 5878 is a six-button, eight-loop, wall mountable wireless transmitter. It is intended for use only with wireless alarm systems that support 5800 series receivers. Individual buttons on the transmitter may be programmed for any zone response, but are typically used for arming or for home automation functions. Optional function buttons are provided with the 5878.



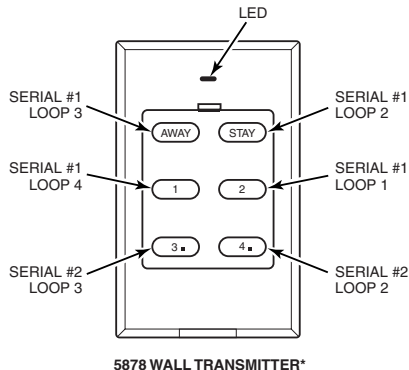
Do not use for system disarming in an area that requires security.

This device supports both Standard and High-Security (encrypted) modes. The latter sends rolling-code encrypted messaging to the RF receiver.



This device must be used with a receiver or control that supports high security mode i.e.: 5881EN, 5883, 6150RF, or 6160RF receiver or a LYNXR Series control panel (Revision 13.1 or higher if you intend to use it in high security mode).

The 5878 is powered by one replaceable lithium battery designed to provide up to four years of life. For battery installation, see Replacing the Battery.



* SERIAL #2 - LOOP 1 = AWAY + 4 BUTTON
LOOP 4 = 3 + 4 BUTTONS

5878-001-V1

Figure 1 - 5878 Button Designations

PROGRAMMING

The 5878 is assigned two unique serial numbers during manufacture and each button, or button combination on the unit also has a distinct "loop" number (refer to Figure 1) that must be programmed into the control panel during installation. Assign each button, or button combination, to one of eight individual zones and designate the Input Type as "BR" (Button Type RF).



If you are enrolling the 5878 locally with an RF Keypad, refer to the keypad's Installation Instructions for programming instructions.

1. When prompted, enter the serial number either by: Pressing and releasing the button (or buttons) that you are programming twice (*wait about 5 seconds between button activations*), or Manually through the keypad.

- Notes:**
- (1) To activate the transmitter, the 5878 buttons must be pressed and held for at least one-half second.
 - (2) Serial #2 is one (1) digit higher than serial #1, which is printed on the rear of the transmitter.

Loop 4 Setup

Both of the Loop 4 buttons must be enrolled in the control, even if they will not be used. If one or both of the loops is not being used, program it as Zone Type 23 (No Alarm Response). Otherwise assign it to the desired zone type.

2. Exit Programming Mode after programming is complete.

For complete details on how to program the transmitter's serial number at the control panel, see the control unit's installation instructions.

Assigning a 5878 to a User

On most control panels, if the wall transmitter is used for arming functions, you must assign it to a user in order for it to operate. This is accomplished through User Code programming at the control panel. See the control panel's Installation and Setup Guide for specific instructions on programming User Codes.

If you are programming arming functions on both serial numbers, each serial number must be assigned to a separate user.

SELECTING STANDARD OR HIGH-SECURITY MODE



For use with LYNXR Series controls earlier than Revision 13.1, the Standard Mode must be selected.

To select Standard Mode, simultaneously press and hold the STAY, 1 and 2 buttons for three seconds.

To select High-Security Mode, simultaneously press and hold the AWAY, 1 and 2 buttons for three seconds.

The LED flashes green when transmitting in Standard Mode and red when transmitting in High-Security Mode.

ACTIVATING HIGH-SECURITY MODE



To ensure proper functionality, the 5878 must be synced to the security system.

1. After selecting High-Security mode, put the system in Go/No Go Test mode.
2. To sync the transmitter with the receiver, simultaneously press and hold the AWAY, STAY, 1, and 2 buttons until the panel beeps (see Figure 1). For LYNXR Series controls proceed to step 4.

Note: The LYNXR Series panels will confirm the synchronization by sounding two beeps.

3. To sync the device in High Security Mode, press either the AWAY, STAY, 1, or 2 button ONCE, until the panel beeps indicating receipt.
4. To sync the second serial number of the wireless key with the receiver, simultaneously press and hold the 1, 2, 3, and 4 buttons until the panel beeps. For LYNXR Series controls proceed to step 6.
5. To sync the device in High Security Mode, press the 3 or 4 button ONCE, and hold until the panel beeps indicating receipt.

Note: If no beep is heard, exit Go/No Go mode, and repeat Steps 1 - 5.

6. Exit Go/No Go mode by entering user code + 1 (OFF).

USING TWO RECEIVERS IN HIGH-SECURITY MODE

If the control supports two receivers and you plan to use them in the high-security mode perform the following:

1. Enroll the transmitters into the receivers one at a time, by disconnecting Receiver #2, and enrolling as described in "Activating High Security Mode" (above).
2. Disconnect Receiver #1, reconnect Receiver #2, and repeat the enrollment procedure. This process ensures proper High Security operation with both receivers.



Temporarily disable the receivers' supervisory zones while enrolling, to prevent them from going into "trouble" when disconnected. After enrolling, re-enable the supervisory zones.

REPLACING THE BATTERY

The LED will not flash during transmission if the battery is low. To replace the battery perform the following steps.

1. Slide out the battery tray located at the bottom of the 5878.
2. Carefully remove the battery.
3. Press and hold any button for at least one second.
4. Insert a new battery in the tray as shown in Figure 2. **Positive (+) end must face up.** Use Maxell CR2032, Duracell DL 20325, or Varta CR2032 lithium battery only.
5. Slide the battery back into the 5878.
6. Press any button and verify that the LED flashes.



Improper installation will result in damage to the battery.

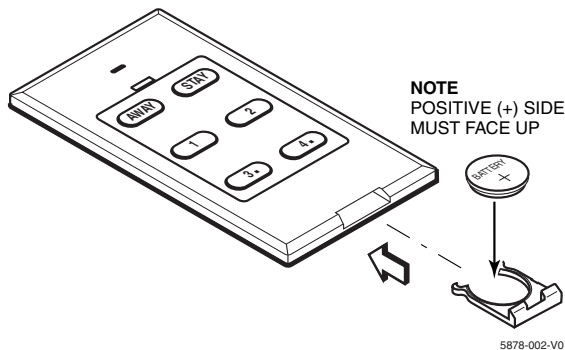


Figure 2 - Battery Replacement

MOUNTING THE 5878

The 5878 can be mounted directly to a wall or other surface using two-sided (double-stick) tape or by using the provided back plate.

Mount the 5878 using the back plate as follows:

1. Mount the back plate to a sturdy wall using self-tapping screws supplied (anchors for drywall are not supplied) or two-sided adhesive tape.
2. Install the 5878 onto the back plate and slide it downward until the locking device engages.
3. To remove the 5878 from the back plate release the locking mechanism by pushing it towards the wall, and then carefully sliding the 5878 upward until it is released.

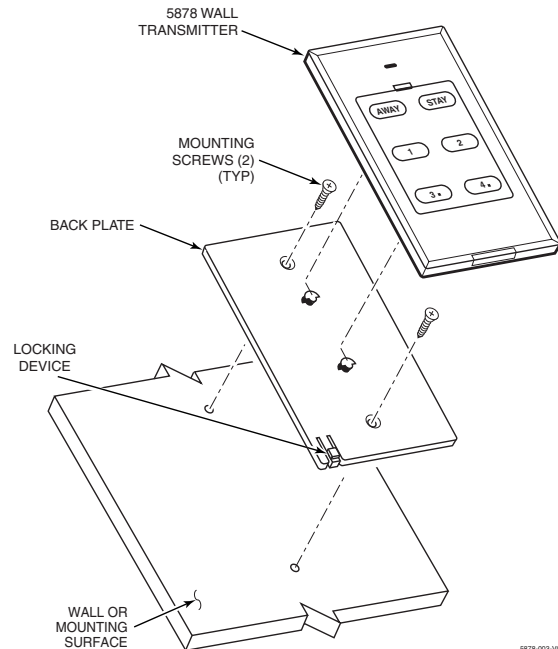


Figure 3 - Installing the 5878

SPECIFICATIONS

Unit Dimensions: 4.5 in (114.3mm) x 2.75 in (69.85mm) x .5 in (12.7mm)

Battery: Maxell CR2032, Duracell DL 20325, or Varta CR2032

FOR WARRANTY INFORMATION AND FOR DETAILS REGARDING THE LIMITATIONS OF THE ENTIRE ALARM SYSTEM, REFER TO THE INSTALLATION INSTRUCTIONS FOR THE RECEIVER/CONTROL WITH WHICH THIS DEVICE IS USED.

FCC AND INDUSTRY CANADA STATEMENT

THIS DEVICE COMPLIES WITH PART 15 OF FCC RULES AND RSS210 OF INDUSTRY CANADA. OPERATION IS SUBJECT TO THE FOLLOWING TWO CONDITIONS: (1) THIS DEVICE MAY NOT CAUSE HARMFUL INTERFERENCE, AND (2) THIS DEVICE MUST ACCEPT ANY INTERFERENCE RECEIVED, INCLUDING INTERFERENCE THAT MAY CAUSE UNDESIRABLE OPERATION.

THE USER SHALL NOT MAKE ANY CHANGES OR MODIFICATIONS TO THE EQUIPMENT UNLESS AUTHORIZED BY THE INSTALLATION AND SETUP GUIDE OR THE USER GUIDE.

Honeywell

12800 Brookprinter Place, Poway, CA 92064

Copyright 2006 © Honeywell International Inc.

www.honeywell.com/security



K14347 6/06 Rev. A